

305

台灣 新竹縣

新埔鎮陽明街126號

昱光照明實業有限公司

Susan Chen



Susan Chen
SUN LIGHT LIGHTING INDUSTRIAL CO LTD
126 YANG MING ST
HSIN-PU TOWN
HSINCHU HSIEN
305 TAIWAN

Date: 2017/01/05
Subscriber: 746843001
PartySite: 199809
File No: E185236
Project No: 4787700458
PD No: 17000851
Type: L
PO Number:

Subject: **Initial Production Inspection**

PLEASE NOTE: YOUR MANUFACTURING REPRESENTATIVE IS NOT AUTHORIZED TO SHIP ANY PRODUCTS BEARING ANY UL MARKS UNTIL THE INITIAL PRODUCTION INSPECTION HAS BEEN SUCCESSFULLY CONDUCTED BY THE UL FIELD REPRESENTATIVE.

An Initial Production Inspection (IPI) is an inspection that must be conducted prior to the first shipment of products bearing the UL Mark. This is to ensure that products being manufactured are in accordance with UL's requirements including the Follow-Up Service Procedure. After the UL Representative has verified compliance of your product(s), authorization will be granted for shipment of product(s) bearing the appropriate UL Marks as denoted in the Procedure.

Please file revised pages and illustrations in place of material of like identity. New material should be filed in its proper numerical order.

NOTE: Follow-Up Service Procedure revisions DO NOT include Cover Pages, Test Records and Conclusion Pages. Report revisions DO NOT include Authorization Pages, Indices, Section General Pages and Appendixes.

Please review this material and report any inaccuracies to UL's Customer Service Professionals. Contact information for all of UL's global offices can be found at <http://ul.com/aboutul/locations>.

If you'd like to receive updated materials FASTER, UL offers electronic access and/or delivery of this material. For more details, contact UL's Customer Service Professionals as shown above., referring to the above Project and/or PD Numbers.

This material is provided on behalf of UL LLC (UL) or any authorized licensee of UL.

TPI File

ADDENDUM TO TRANSMITTAL LETTER

Susan Chen
SUN LIGHT LIGHTING INDUSTRIAL CO LTD
126 YANG MING ST
HSIN-PU TOWN
HSINCHU HSIEN
305 TAIWAN

Date: 2017/01/05
Subscriber: 746843001
PartySite: 199809
File No: E185236
Project No: 4787700458
PD No: 17000851
Type: L
PO Number:

Subject: **Initial Production Inspection**

The following material resulting from the investigation under the above numbers is enclosed.

Issue

<u>Date</u>	<u>Vol</u>	<u>Sec</u>	<u>Pages</u>	<u>Revised Date</u>
		1	Revised Index Page(s) 1	2016/12/28
1997/04/03	1	1	Cert of Compliance	
1997/04/03	1	1	New Description Page(s) 12	2016/12/28
1997/04/03	1	1	Revised Description Page(s) 1,1A	2016/12/28
1997/04/03	1	1	New Illustration(s) 8	2016/12/28
1997/04/03	1	1	New Test Record 12	2016/12/28

INDEX

Model Nos.	Section	Report Date
*Candelabra Screw-Base, Models SL7, SL-7F, SL-7F-5, SL-26, SL-7S, SL-G30, SL-G40, SL-G40-5, SL-G50, SL-M25, SL-M45, SL-M65, SL-H45, SL-H85, SL-M95, SL-N7-7, SL-FK1, SL-F7, SL-T-7, SL-G45P7, SL7-1, SL-7E, SL-7E2, SL-T16, SL-T16H, SL-T16S, C8, SL-T16S3, SL-26F, SL-ST38-7 and SL-ST38; Intermediate Screw-Base, Models SL9, SL-9E, SL-9E2, SL-F9, SL-A15, SL-A19, AL-ST40 and SL-G60.	1	1997-04-03
Bubble Lights, candelabra screw-base, Models SLB-1 and SLB-2.	2	2001-05-29

CERTIFICATE OF COMPLIANCE

Certificate Number 20170105-E185236
Report Reference E185236-19970403
Issue Date 2017-JANUARY-05

Issued to: SUN LIGHT LIGHTING INDUSTRIAL CO LTD
126 YANG MING ST
HSIN-PU TOWN
HSINCHU HSIEN, 305 TAIWAN

**This is to certify that
representative samples of**

LAMPS, DECORATIVE

Classified Decorative Lamps, Candelabra Screw-Base,
Types SL7, SL-7F, SL-7F-5, SL-26, SL-26F, SL-7S, SL-
G30, SL-G40, SL-G40-5, SL-G50, SL-M25, -M45, -M65, -
H45, -H85, -M95, -N7-7, -FK1, -F7, -T-7, -G45P7, SL7-1,
SL-7E, SL-7E2, SL-T16, -T16H, -T16S, -T16S3, C8, SL-
ST38-7 and SL-ST38.

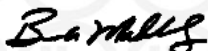
Classified Decorative Lamps, Intermediate Screw-Base,
Types SL9, SL-9E, SL-9E2, SL-F9, SL-A15, SL-A19, SL-
ST40 and SL-G60

Have been investigated by UL in accordance with the
Standard(s) indicated on this Certificate.

Standard(s) for Safety: UL 588 - Seasonal and Holiday Decorative Products
Additional Information: See the UL Online Certifications Directory at
www.ul.com/database for additional information

Only those products bearing the UL Certification Mark should be considered as being covered by UL's
Certification and Follow-Up Service.

Look for the UL Certification Mark on the product.



Bruce Mahrenholz, Director North American Certification Program
UL LLC

Any information and documentation involving UL Mark services are provided on behalf of UL LLC (UL) or any authorized licensee of UL. For questions, please
contact a local UL Customer Service Representative at <http://ul.com/aboutul/locations/>



DESCRIPTION

PRODUCT COVERED:

Classified Decorative Lamps, Candelabra Screw-Base, Types SL7, SL-7F, SL-7F-5, SL-26, SL-26F, SL-7S, SL-G30, SL-G40, SL-G40-5, SL-G50, SL-M25, -M45, -M65, -H45, -H85, -M95, -N7-7, -FK1, -F7, -T-7, -G45P7, SL7-1, SL-7E, SL-7E2, SL-T16, -T16H, -T16S, -T16S3, C8, SL-ST38-7 and SL-ST38.

***Classified Decorative Lamps**, Intermediate Screw-Base, Types SL9, SL-9E, SL-9E2, SL-F9, **SL-A15, SL-A19, SL-ST40 and SL-G60.**

GENERAL CONSTRUCTION:

These products comply with the Standard of Underwriters Laboratories Inc. the Standard for Seasonal and Holiday Decorative Products, UL 588, 19th Edition and with the following description on the following pages.

TECHNICAL CONSIDERATIONS (NOT FOR FIELD REPRESENTATIVE'S USE):

These products have been determined in compliance with the "Go" and "Not Go" thread specifications contained in Electrical Lamp Bases, ANSI C81-61-1990.

ELECTRICAL RATINGS:

120 V, 60 Hz.

Type	Envelope Type	Lamp Wattage, W	Overall Dimensions, mm	Base Type
SL7	C	5	22 OD by 38 long	Candelabra Screw-Base
SL9	C	7	30 OD by 54 long	Intermediate Screw-Base
SL-7F	CA	7	20 OD by 54 long	Candelabra Screw-Base
SL-26	B	7	26 OD by 72 long	Candelabra Screw-Base
SL-7S	C	5	20 OD by 54 long	Candelabra Screw-Base
SL-G30	G	5	30 OD by 32 long	Candelabra Screw-Base
SL-G40	G	7	40 OD by 44 long	Candelabra Screw-Base
SL-G50	G	7	50 OD by 55 long	Candelabra Screw-Base
SL-M25	-	5	47 OD by 90 long	Candelabra Screw-Base
SL-M45	-	5	50 OD by 93 long	Candelabra Screw-Base
SL-M65	-	5	40 OD by 74 long	Candelabra Screw-Base
SL-H45	-	5	40 OD by 74 long	Candelabra Screw-Base
SL-H85	-	5	33 OD by 62 long	Candelabra Screw-Base
SL-M95	C	5	30 OD by 72 long	Candelabra Screw-Base

Table cont'd.

Type	Envelope Type	Lamp Wattage, W	Overall Dimensions, mm	Base Type
SL-N7-7	-	7	22 OD by 53 long	Candelabra Screw-Base
SL-FK1	-	1	18 OD by 72 long	Candelabra Screw-Base
SL-F9	B	7	30 OD by 73 long	Intermediate Screw-Base
SL-F7	B	7	23 OD by 54 long	Candelabra Screw-Base
SL-T-7	T20	7	20 OD by 48 long	Candelabra Screw-Base
SL-G45P7	G	7	45 OD by 97 long	Candelabra Screw-Base
SL7-1	B	7	23 OD by 54 long	Candelabra Screw-Base
SL-T16	T	5	16 OD by 46 long	Candelabra Screw-Base
SL-T16H	T	7	16 OD by 46 long	Candelabra Screw-Base
SL-T16S	T	5	16 OD by 36 long	Candelabra Screw-Base
C8	B	15	25 OD by 46 long	Candelabra Screw-Base
SL-7E	C	3	23 OD by 54 long	Candelabra Screw-Base
SL-9E	C	4	29 OD by 74 long	Intermediate Screw-Base
SL-7F-5	C	5	20 OD by 54 long	Candelabra Screw-Base
SL-G40-5	G	5	40 OD by 44 long	Candelabra Screw-Base
SL-7E2	C	2.5	23 OD by 54 long	Candelabra Screw-Base
SL-9E2	C	3.5	29 OD by 74 long	Intermediate Screw-Base
SL-T16S3	C	3	16 OD by 36 long	Candelabra Screw-Base
SL-26F	C	1	26 OD by 85 long	Candelabra Screw-Base
SL-ST38-7	-	7	38 OD by 80 long	Candelabra Screw-Base
SL-ST38	-	5	38 OD by 80 long	Candelabra Screw-Base
SL-A15	A	7	48 OD by 91 long	Intermediate Screw-Base
SL-A19	A	7	60 OD by 100 long	Intermediate Screw-Base
SL-ST40	ST	7	40 OD by 98 long	Intermediate Screw-Base
SL-G60	G	7	60 OD by 82 long	Intermediate Screw-Base

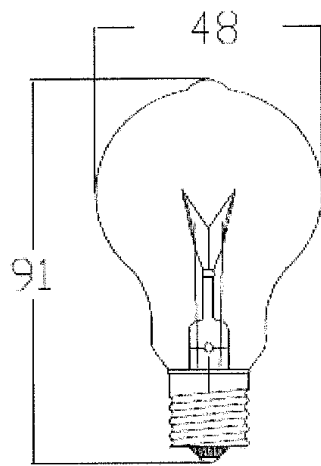
INTERMEDIATE SCREW-BASE LAMPS, TYPES SL-A15, SL-A19, SL-ST40
AND SL-G60 - ILL. 8

General - The general design, shape and arrangement shall be as illustrated except where variations are specifically described.

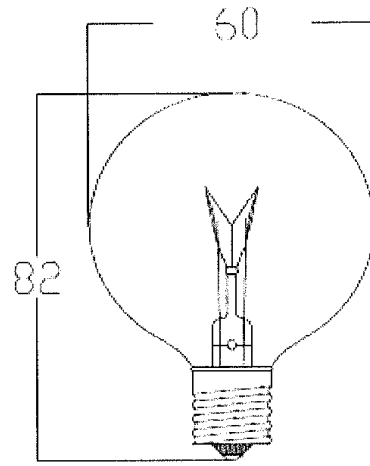
Envelope - Glass, see Ill. 8 for overall dimensions. Glass may be transparent or finished with various colors in translucent or opaque. Envelope secured to base by adhesive.

Base - Intermediate screw-base type, formed of copper or copper alloy, Min. 0.12 mm thick. Measured 20.5 mm from the center contact to the top of the screwshell.

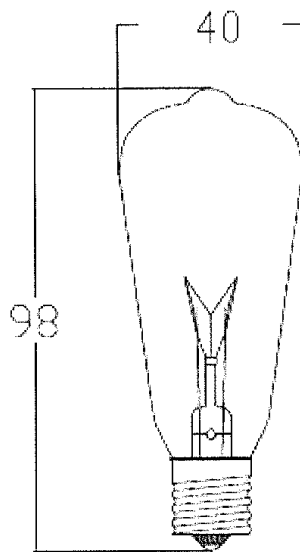
Marking - See Sec. Gen. for details.



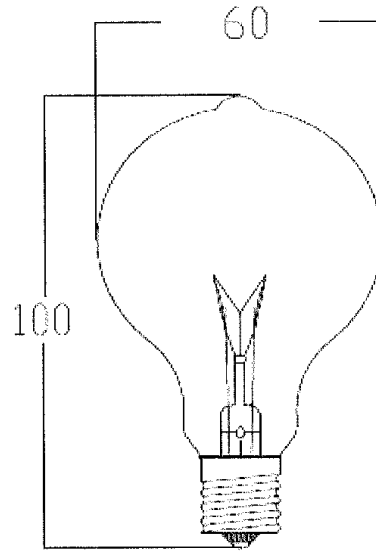
E17-A15



E17-G60



E17-ST40



E17-A19

Unit: mm

TEST RECORD NO. 12

The products indicated below and constructed as described herein, were submitted by the manufacturer for examination and test.

Decorative lamps, intermediate base, Models SL-A15, SL-A19, SL-ST40 and SL-G60.

Models SL-A15, SL-A19, SL-ST40 and SL-G60 were used for investigation purposes.

The following tests were conducted:

TEST	STANDARD	CLAUSE
Input Test	UL 588	42
Lamp Screw Base Conformity Test	UL 588	SA7
Envelope-To-Base Securement Test	UL 588	SA8
Lamp-Envelope Temperature Test	UL 588	SA9
Exposure Of Live Parts - Gauging Test	UL 588	SA2.2.3
Center/Side Filament Protrusion Test	UL 588	SA2.2.4

Test results relate only to the items tested.

Test Record Summary:

The results of this investigation, including construction review and testing, indicate that the products evaluated comply with the applicable requirements in the Standard noted below and, therefore, such products are judged eligible to bear UL's Mark as described on the Conclusion Page of this Report.

Standard	Title	Edition or Publication Date	Revision Date
UL 588	Seasonal and Holiday Decorative Products	19 th	Oct. 26, 2015

Test Record by:

NANCY CHUANG
Senior Project Engineer

Reviewed by:

DEREK YU
Project Engineer

Any information and documentation involving UL Mark services are provided on behalf of UL LLC (UL) or any authorized licensee of UL.